

B-Questa®

BIK®
Best Sound System from Japan

OWNER'S MANUAL

使用说明书


LH-PS80



Speaker Stand

扬声器支架

Thank you for purchasing our speaker stand. Please read the owner's manual thoroughly prior to use. Please keep this manual for future reference.

CAUTION FOR SAFETY

This "Caution for safety" shows with  in order to be used safely and correctly and to prevent from damaging other people, and their property. Please read with full understanding, and carefulness.

 WARNING	This shows: Using this product with disregarding cautions might call for death or injury.
 CAUTION	This shows: Using this product with disregarding cautions might call for people to be harmed and goods to be damaged.

WARNING

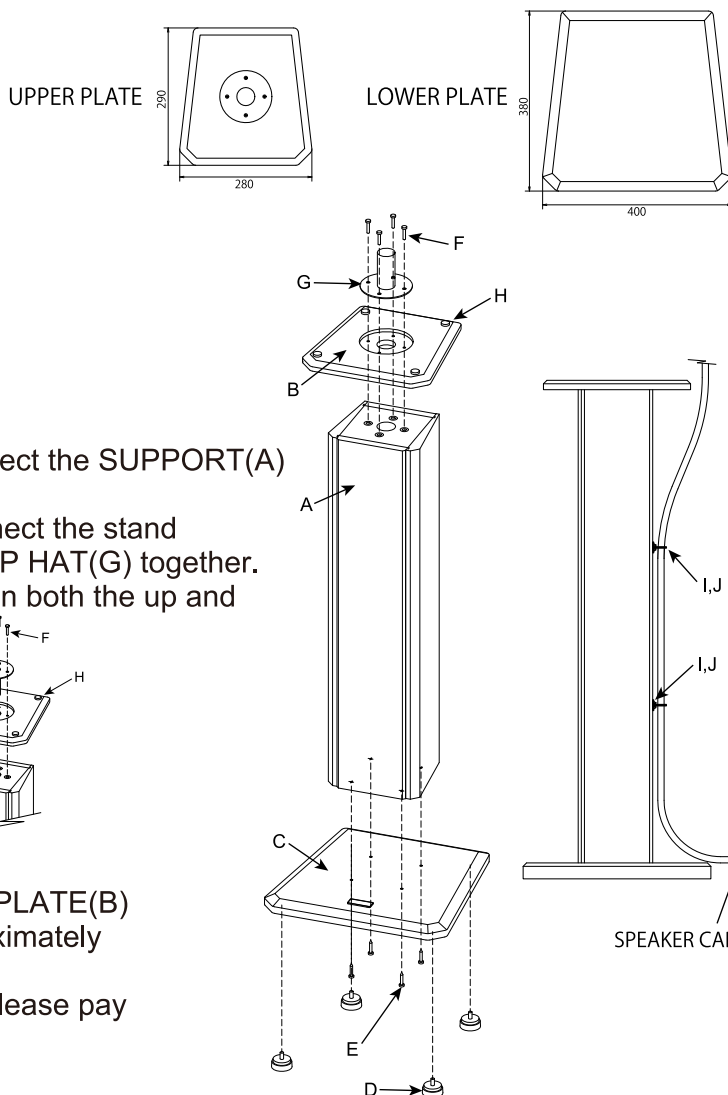
- Do not disassemble, repair or modify the product yourself. This may cause deformation, damage or tipping over.
- When moving the product, remove any installed devices beforehand.
- This product is a speaker stand, so do not use it for other purposes.
- Make sure to tighten screws securely in the designated places.
- Do not climb or sit on the product. Be careful not to use as a toy for children.
- If transferring the product to a third party, please transfer this instruction manual as well and read it carefully before use.
- We are not responsible for accidents or damage caused by improper installation, improper handling, or natural disasters.

CAUTION

- Be careful not to drop or drag the product when assembling or transporting it.
- Assemble and install on a flat floor.
- This product is not waterproof.
- Avoid using the product in direct sunlight, near a stove, or in humid or dry locations. This may cause deformation, discoloration, or burns.
- Do not use in places exposed to oily smoke or steam, or outdoors.
- Do not use thinners or benzene to clean this product. This may cause discoloration or peeling of the coating. This will significantly impair the performance and quality of the product.

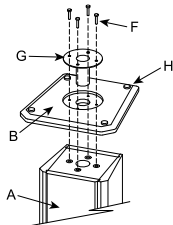
ASSEMBLY AND ADJUSTMENT METHOD

PARTS LIST		
	PARTS NAME	Q'TY
A	SUPPORT	2pcs
B	UPPER PLATE	2pcs
C	LOWER PLATE	2pcs
D	LEG	8pcs
E	TAPPING SCREW	8pcs
F	MACHINE SCREW	8pcs
G	TOP HAT	2pcs
H	GASKET	8pcs
I	CABLE TIE	4pcs
J	MOUNT BASE	4pcs



Step 1: Use TAPPING SCREW(E) to connect the SUPPORT(A) and the LOWER PLATE(C).

Step 2: Use MACHINE SCREW(F) to connect the stand and the UPPER PLATE(B) and TOP HAT(G) together. The TOP HAT(G) can be installed in both the up and down direction.



Step 3: Install LEG(D).

Step 4: Install GASKET(H) at the UPPER PLATE(B) four corners (fixed position : approximately 5mm from each corner).

GASKET(H) are not reusable, so please pay attention when installing them.



- 1.If the stand wobbles after assembly, please adjust rubber LEG(D).
- 2.The product comes with MOUNT BASE(J) and CABLE TIE(I) for securing speaker cable. Please refer to the image on the right for installation.

安全注意事项

“安全注意事项”帮助您安全、正确地使用产品，并防止对他人及其财产造成损害。请仔细阅读，并确保充分理解和注意。

警告	无视或误用会有造成人身事故的可能性。
注意	无视或误用会有造成人身伤残，或对财产损坏的可能性。

警告

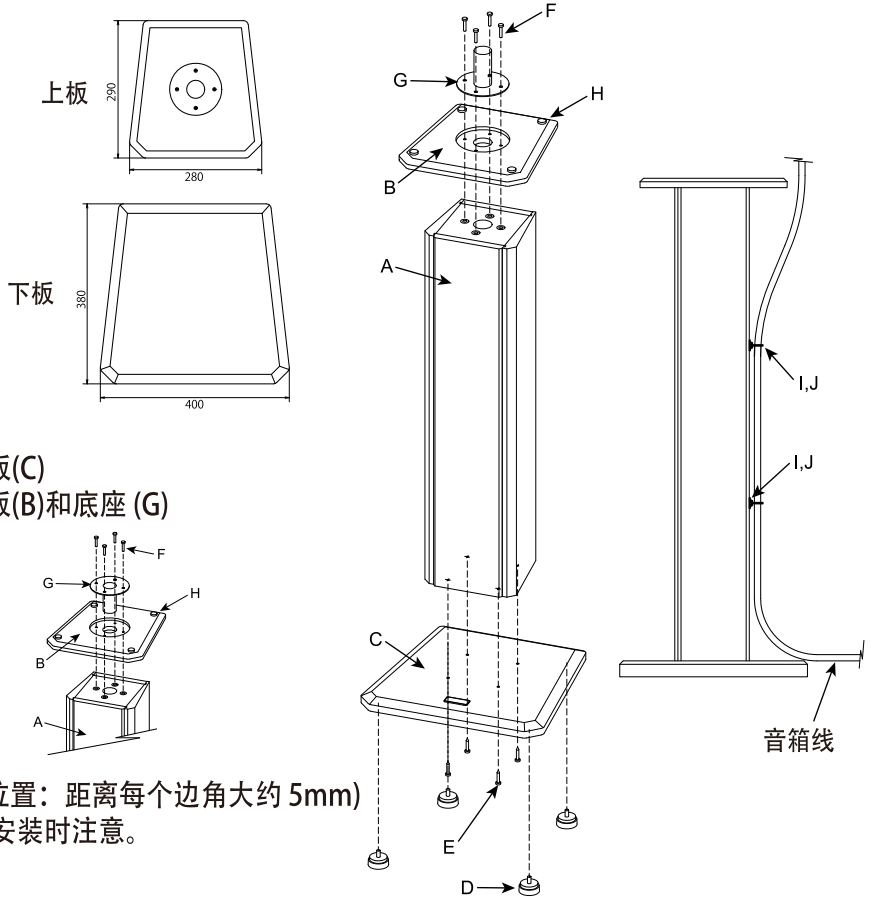
- 请勿自行拆卸、维修或改装本产品。这可能导致变形、损坏或倾倒。
- 移动本产品时，请先移除任何已安装的设备。
- 本产品为扬声器支架，请勿用于其他用途。
- 确保将螺丝牢固地拧紧在指定位置。
- 请勿攀爬或坐在产品上。注意不要让儿童将本产品当作玩具玩耍。
- 如果将本产品转让给第三方，请连同此说明书一起转交，并在使用前仔细阅读。
- 敝公司不承担因安装不当、操作不当或自然灾害导致的事故或损坏责任。

⚠ 注意

- 组装或搬运本产品时，请小心轻放。
- 请在平坦的地面上设置和安装。
- 本产品不防水。
- 避免在阳光直射、炉灶附近或潮湿干燥的地方使用，以免造成产品变形、变色、火灾等事故。
- 请勿在有油烟、蒸汽的地方或室外使用。
- 请勿使用稀释剂或含甲苯类清洁剂来清洁本产品，这可能会导致变色或涂层剥落，严重影响产品的性能和质量。

组装和调整方法

部品清单		
	名称	数量
A	支架	2
B	上板	2
C	下板	2
D	底脚	8
E	自攻螺丝	8
F	平头螺丝	8
G	底座	2
H	防滑垫	8
I	塑胶扎带	4
J	安装底座	4



步骤 1: 使用自攻螺丝 (E) 连接支架和下板 (C)

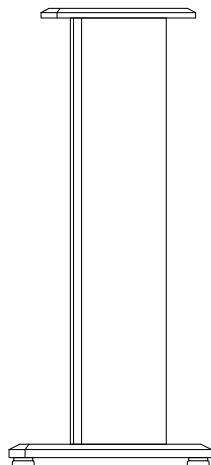
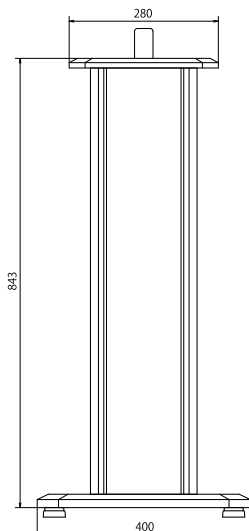
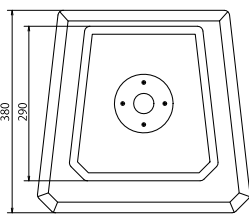
步骤 2: 使用平头螺丝 (F) 连接支架、上板 (B) 和底座 (G)
底座 (G) 可选择朝上/朝下安装。

步骤 3: 安装底脚 (D)

步骤 4: 在四个角安装防滑垫 (H) (固定位置: 距离每个边角大约 5mm)
防滑垫 (H) 不可重复使用, 请在安装时注意。



1. 如果支架在组装后晃动, 请调整底脚 (D)
2. 本产品附带安装底座 (J) 和扎带 (I) 用于固定音箱线, 请参考右侧图片进行安装。



(mm) Weight (净重): 9.7kg



 株式会社 ビーアイケー
〒343-0856 埼玉県越谷市谷中町3丁目17-1

 **BIK CO.,LTD.JAPAN**
3-17-1 YANAKA-CHO. KOSHIGAYA-SHI. SAITAMA-KEN. 343-0856 JAPAN
TEL. +81-48-969-6533 FAX. +81-48-969-6556
URL. <https://www.bik-audio.com> Email. best-sound@bik-coltd.jp